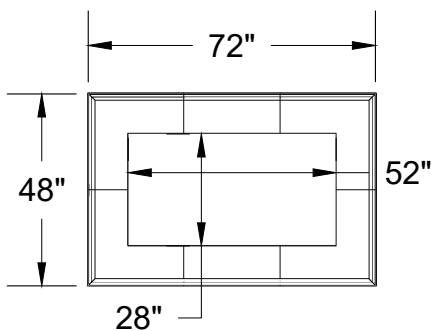
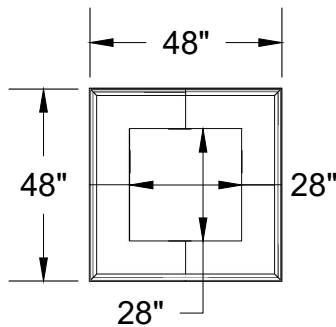
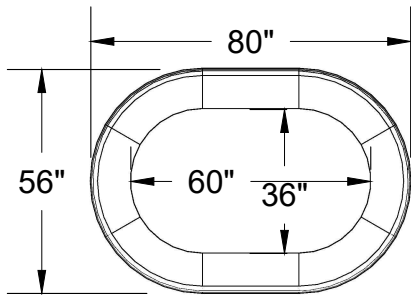
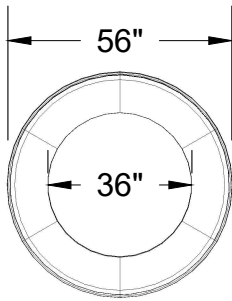
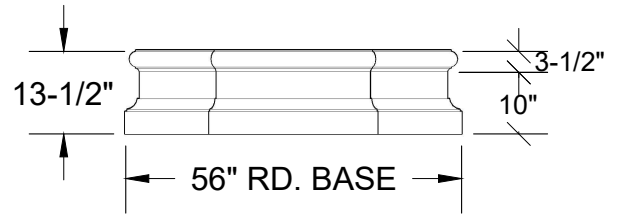


# FIRE PIT QUICK VIEW

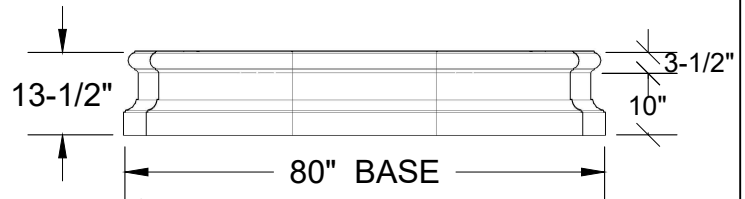
**TOP VIEW**



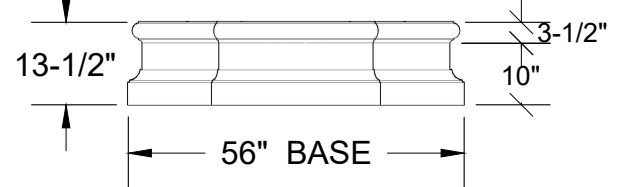
**SIDE VIEW**



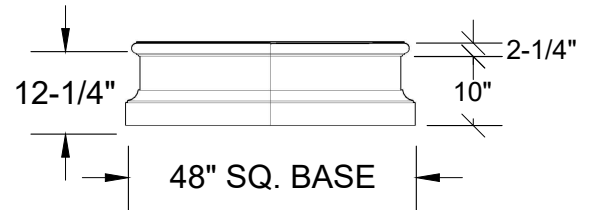
**FIREPIT - 56**



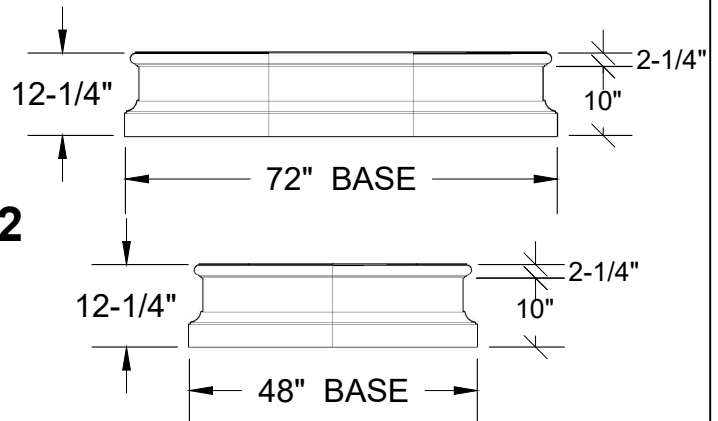
**FIREPIT - 80**



**FIREPIT - 48**



**FIREPIT - 72**



\* BLOCK NOT NEEDED

SS PAN, BURNER, FLEX HOSE, FIREGLASS SOLD SEPARATELY

**ONLY USE LAVA ROCK OR FIRE GLASS**

Product	Dimensions	Weight
FIREPIT - 56	ROUND FIRE PIT ( 12PCS ) 36" ( I.D. ) 56" ( O.D. )	<b>912</b>
FIREPIT - 48	SQUARE FIRE PIT ( 8PCS ) 48" OUTSIDE, 28" INSIDE	<b>580</b>
FIREPIT - 72	RECT. FIRE PIT ( 12 PCS ) 72" x 48" OUT, 52" x 28" INSIDE	<b>774</b>
FIREPIT - 80	OVA FIRE PIT ( 16 PCS ) 80" x 60" OUT, 58" x 34" INSIDE	<b>1060</b>