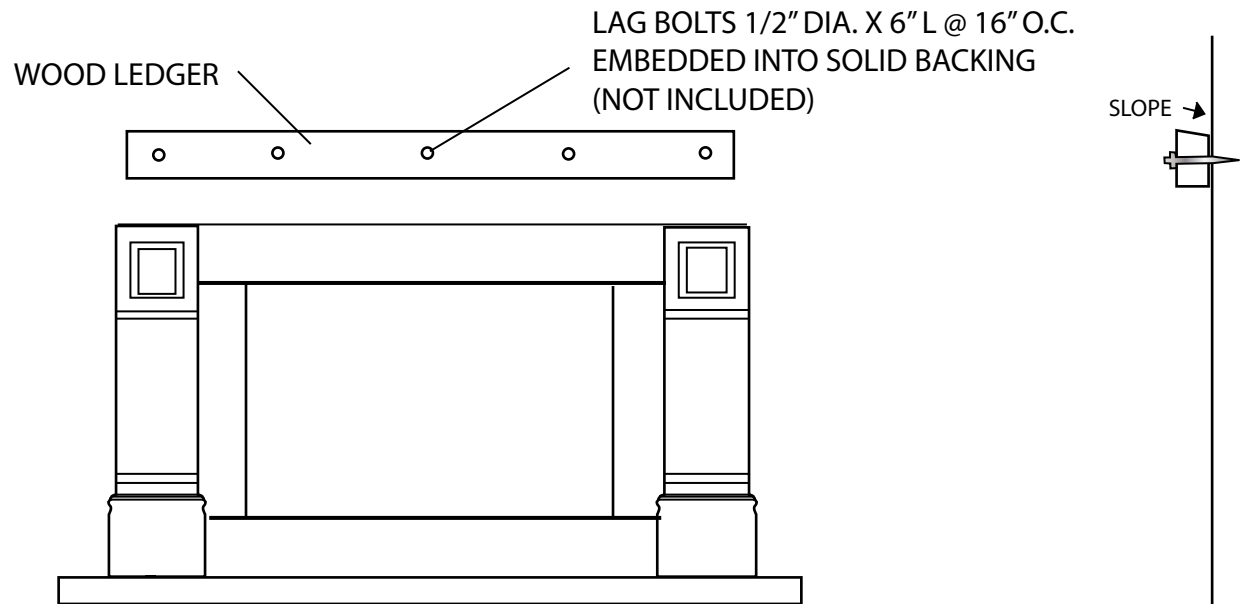


MANTEL INSTALLATION GUIDE



1. LOCATE DESIRED MANTEL HEIGHT
2. LOCATE SOLID BACKING
3. DRILL HOLES IN WOOD LEDGER
4. SECURE LEDGER WITH LAG BOLTS (LEVEL)
5. APPLY A GENEROUS AMOUNT OF PL CONSTRUCTION ADHESIVE AT TOP OF LEDGER.
6. SET MANTEL IN PLACE WITH SUPPORTS, LET DRY FOR 24 HOURS.
7. ALWAYS SEAL WITH PENETRATING SEALER