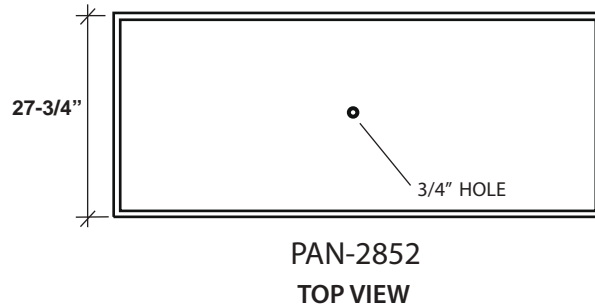
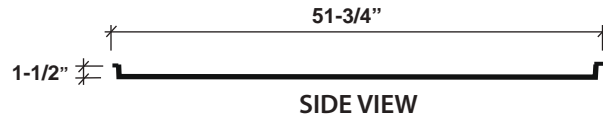


# FIREPIT BURNER/PAN KIT

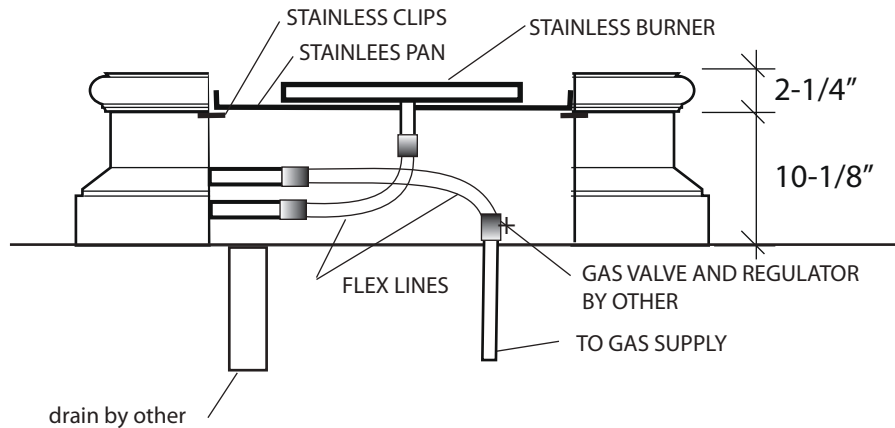
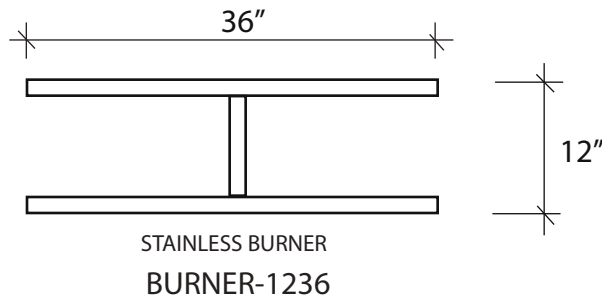
## BK-2852-RECT

(FITS THE "SOLANA" FIREPIT 72)



### KIT INCLUDES

- 1 STAINLESS PAN
- 1 SS BURNER
- 2 FLEX GAS LINES
- 4 SS CLIPS



### SECTION VIEW

### OPTIONAL FIRE GLASS REQUIREMENTS

PAN-2852 (FP-72") 150 LBS.

**ONLY USE LAVA ROCK OR FIRE GLASS**

Product	Dimensions
PAN-2852	27-3/4" X 51-3/4" X 1-1/2" DP RECTANGLE SS PAN
BURNER-1236	12" X 36" "H" SS BURNER
BK-2852-RECT	28" X 52 SQ. SS PAN, 12" X 36" SQ. SS BURNER, (2) 36" FLEX LINES