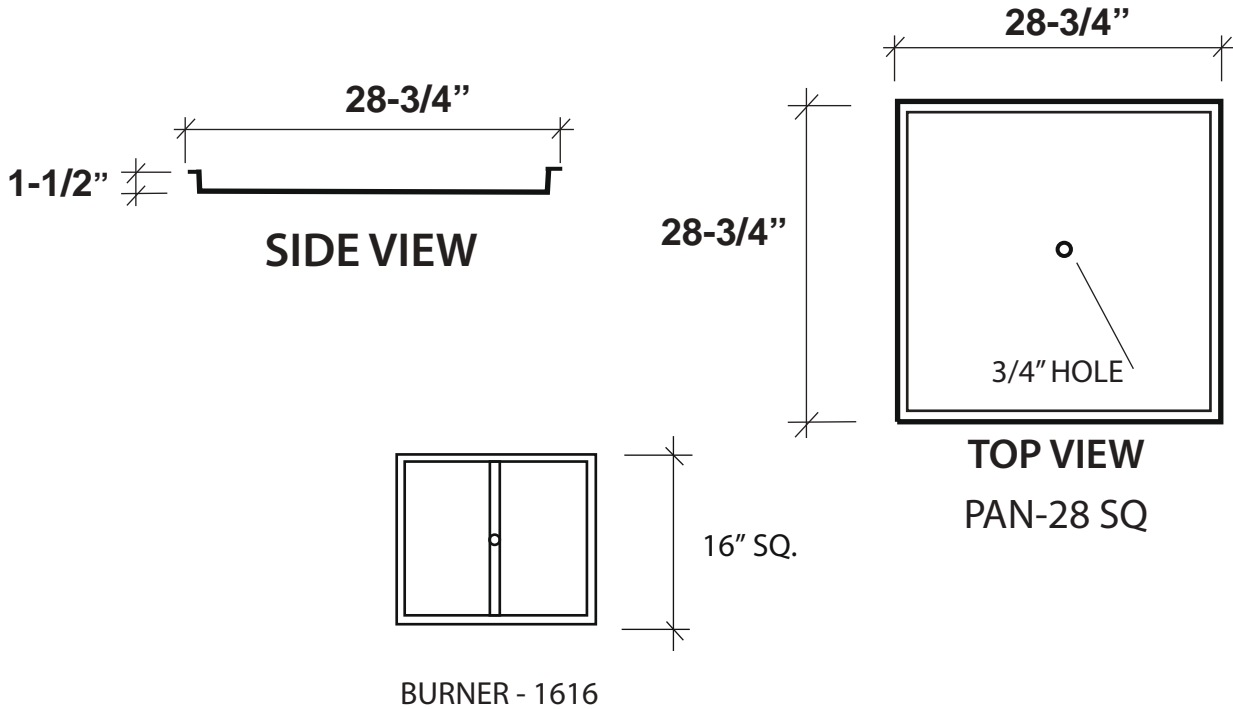
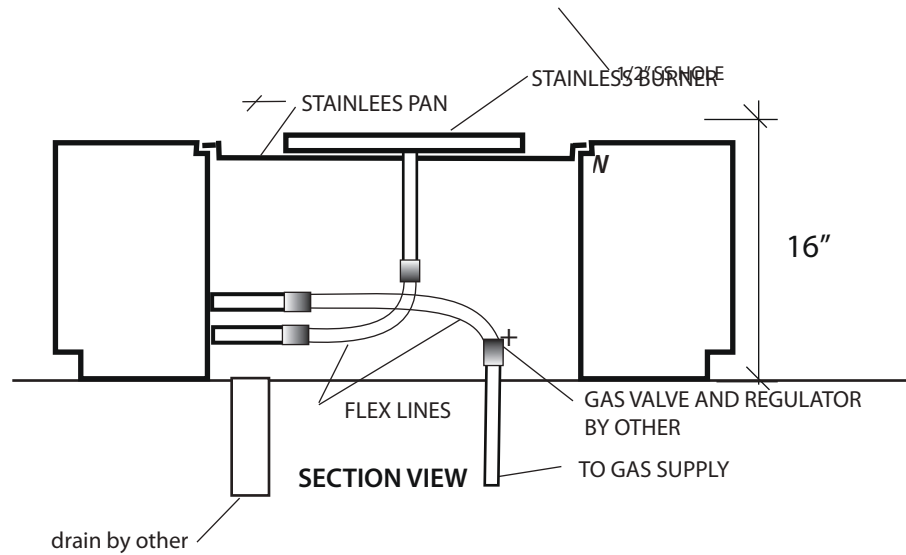


# FIREPIT BURNER/PAN KIT

BK-28-3/4-SQ CUBIX  
 (FITS THE "CUBIX 48")



- 1 STAINLESS PAN
- 1 SS BURNER
- 2 FLEX GAS LINES



**OPTIONAL FIRE GLASS REQUIREMENTS**

PAN-28-3/4 SQ (CUBIX 48) 80 LBS.

**ONLY USE LAVA ROCK OR FIRE GLASS**

Product	Dimensions
PAN-28-3/4 SQ	28-3/4" X 28-3/4" X 1-1/2" DP SQUARE SS PAN
BURNER-1616	16" SQUARE SS BURNER
BK-28-3/4-SQ CUBIX	28-3/4" SQ. SS PAN, 16" SQ. SS BURNER, (2) 36" FLEX LINES