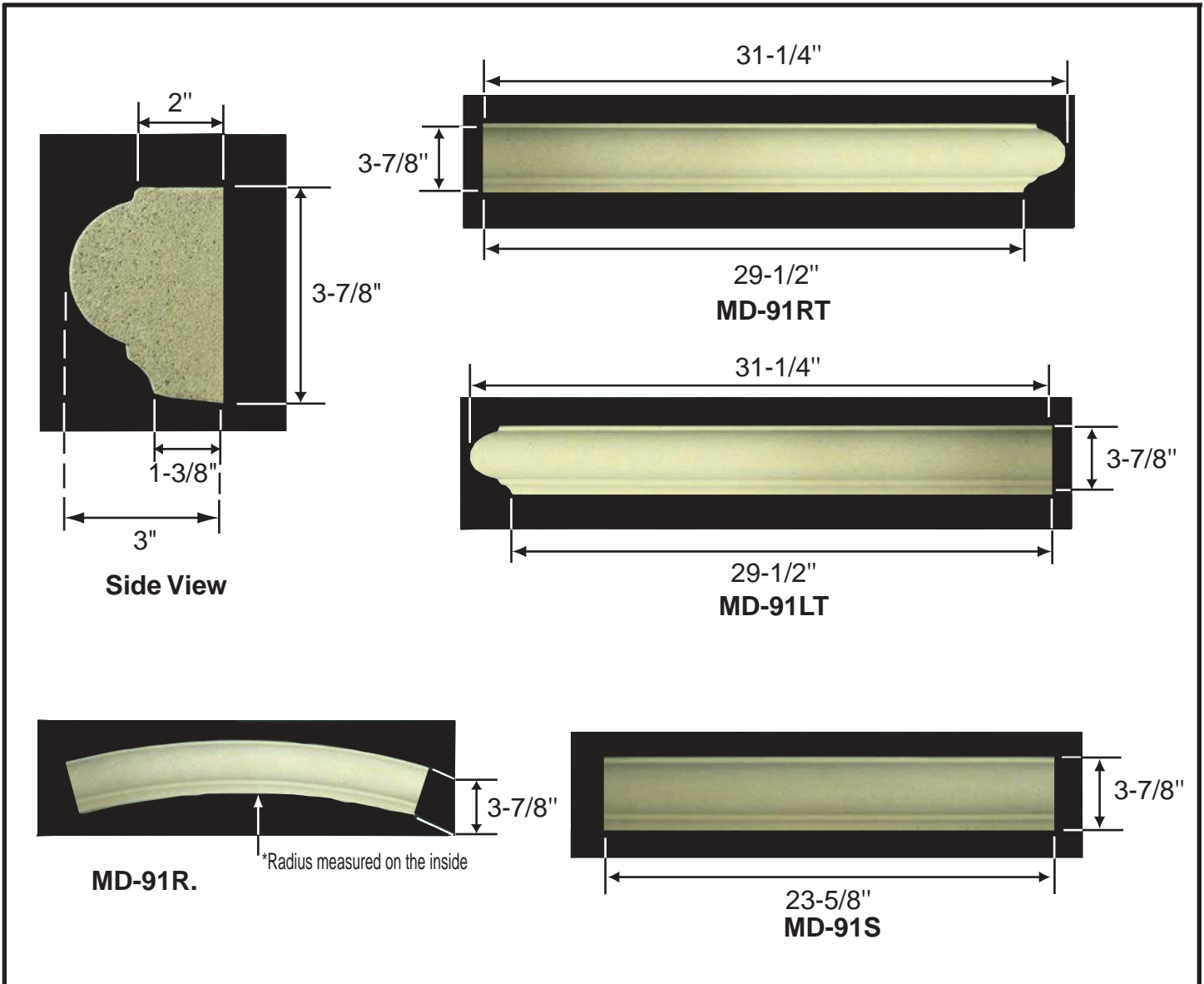


Product Catalog
 MD-91



Product Code and Description	WT.
MD-91S Straight Molding 3-7/8" W x 3" TH x 23-5/8" L	17 lbs.
MD-91RT Right Molding 3-7/8" W x 3" TH x 29-1/2" L	22 lbs.
MD-91LT Left Molding 3-7/8" W x 3" TH x 29-1/2" L	22 lbs.
MD-91R.18 18" Radius Molding 3-7/8" W x 3" TH	21 lbs.
MD-91R.36 36" Radius Molding 3-7/8" W x 3" TH x 22-1/2" L	21 lbs.
MD-91R.48 48" Radius Molding 3-7/8" W x 3" TH x 24-3/4" L	22 lbs.
MD-91R.60 60" Radius Molding 3-7/8" W x 3" TH x 23-1/2" L	22 lbs.
MD-91R.72 72" Radius Molding 3-7/8" W x 3" TH x 24-3/4" L	22 lbs.
MD-91R.96 96" Radius Molding 3-7/8" W x 3" TH x 24-3/4" L	22 lbs.
MD-91R.120 120" Radius Molding 3-7/8" W x 3" TH x 24-3/4" L	22 lbs.