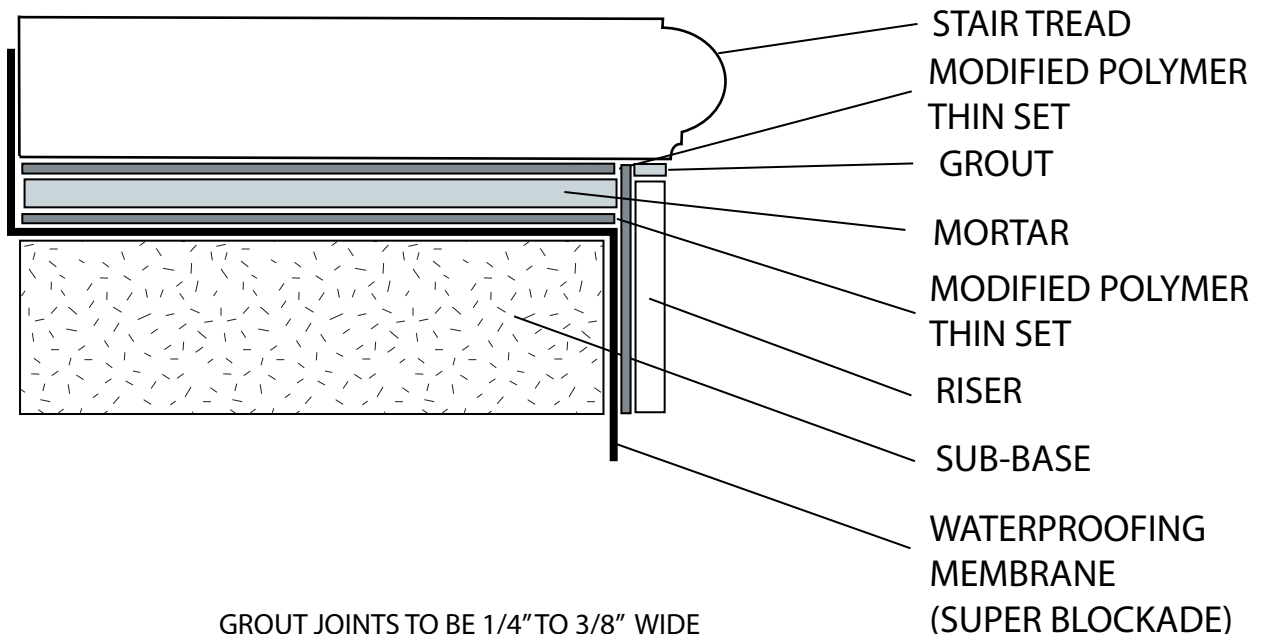


Stair Tread Installation Guide

- 1.1** Install PSD, INC. Pre-cast plumb, true, and level in accordance with installation instructions and the PSD Technical Data Sheet. All pre-cast should be set by experienced and qualified pre-cast masonry installers.
- 1.2** All substrate receiving PSD, INC. Pre-cast shall be cleaned of any oil, paint, dust, debris, etc. Surface shall be smooth, level, and competent of a firm and permanent adhesion to the setting material.
- 1.3** When setting PSD, INC. Pre-cast with thin set and acrylic admix, any piece not thoroughly wet shall be saturated with potable water and excess water should be removed prior to setting.
- 1.4** Unless otherwise stated, every piece shall be set in a full bed of mortar with all vertical joints flushed full. All anchors shall be firmly in place with all anchor holes filled completely with mortar.
- 1.5** If support is needed, brace each piece with a diagonal support to the face and rest on a previously installed temporary ledge to be removed after full cure of setting material.
- 1.6** It is critical that all PSD, INC. Pre-cast shall be protected from splashing mortar or damage by other trades. If a foreign matter does contact the pre-cast must be removed immediately.
- 1.7** Seal all coping with aqua-mix penetrating sealer. Only apply sealer after coping and grout is free of all moisture, this will help avoid damage by other trades. If a foreign matter does contact the pre cast must be removed immediately.
- 1.8** The repair of PSD, INC. Pre-cast, whether it be chipped, cracked, or damaged, shall be done only by masons skilled in this work with materials furnished by the manufacturer and according to their direction.
- 1.9** PSD, INC. Pre-cast shall be cleaned where necessary by scrubbing with a bristle fiber brush, using soap powder and water. Then rinse thoroughly and generously with water. No acid or prepared cleaners shall be used without the approval of PSD, INC.



IMPORTANT NOTICE

NOTE: WHEN USING SAND SET DECKING

**RECOMMENDED WATERPROOFING
MERLEX "SUPERBLOCKADE" OR EQUIVALENT**

**APPLY WATERPROOFING AT EDGE OF COPING
TO PREVENT MOISTURE FROM ENTERING**



**SEALING W/ AQUAMIX PENETRATING SEALER
IS HIGHLY RECOMMENDED AFTER GROUT IS APPLIED**

NOTE:

- 1.) PRECAST TO BE CONNECTED WITH THIN SET W/ ACRYLIC ADMIX AND SPEC MIX
- 2.) GROUT TO MATCH IN COLOR
- 3.) JOINT "TBD" O.C.