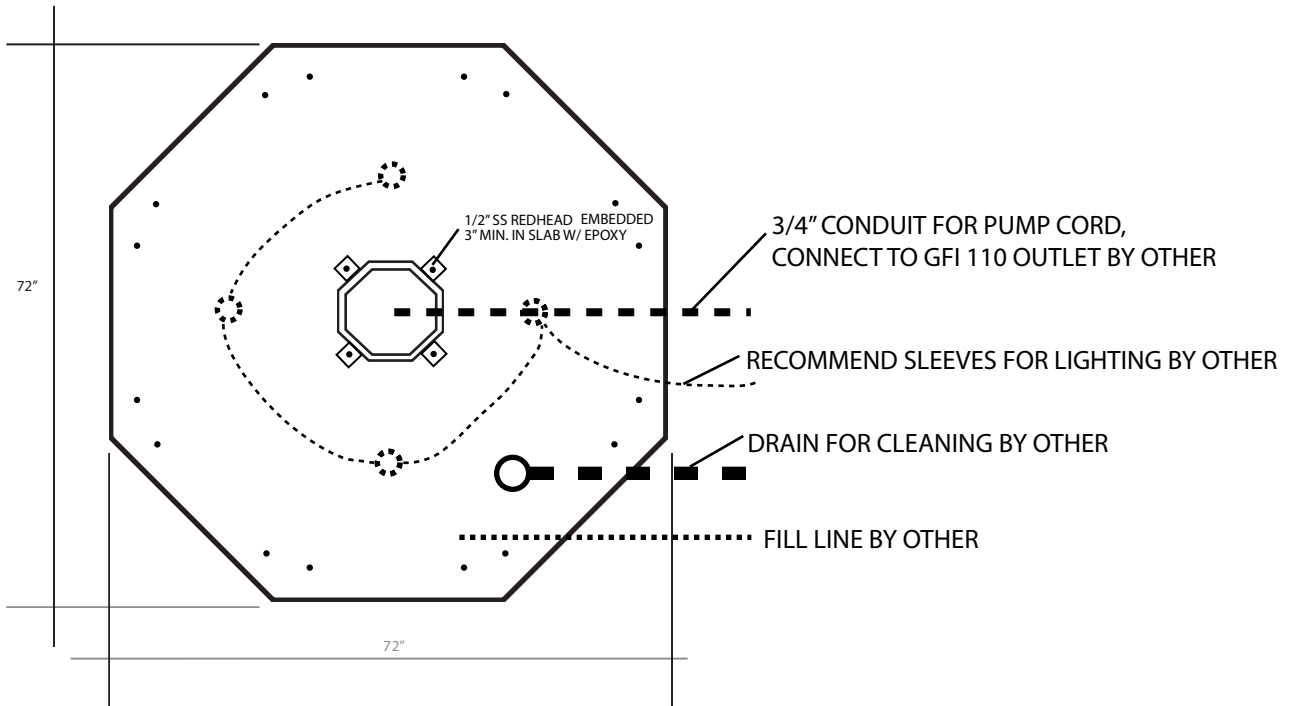
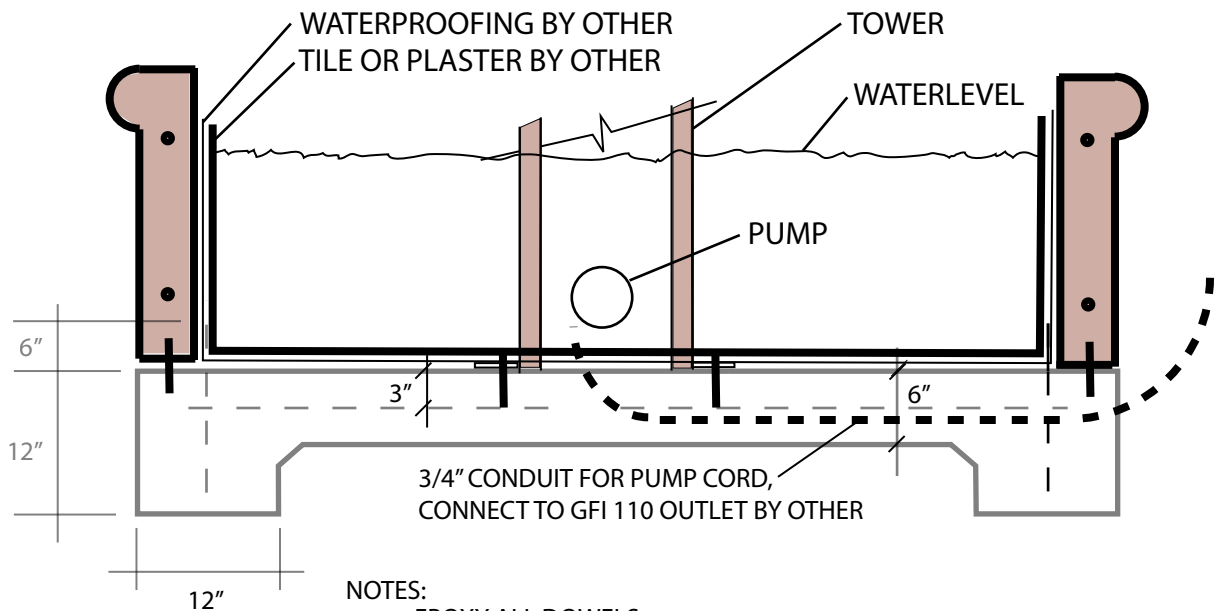


# UNDERGROUND SLEEVE PLAN

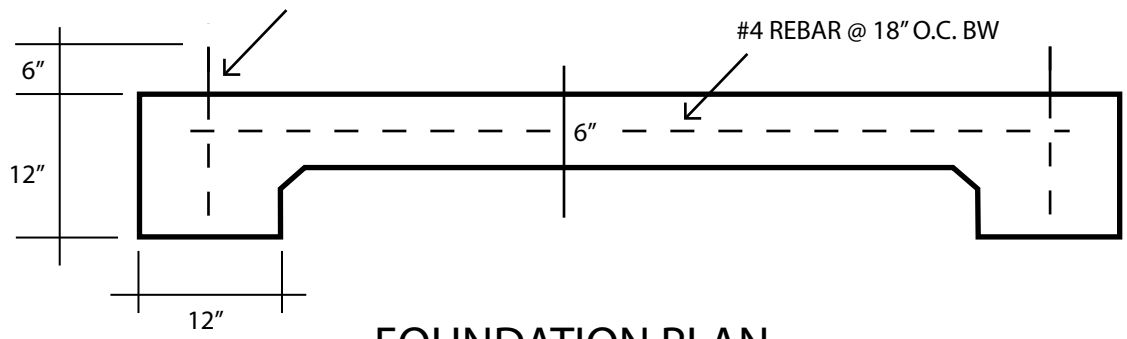
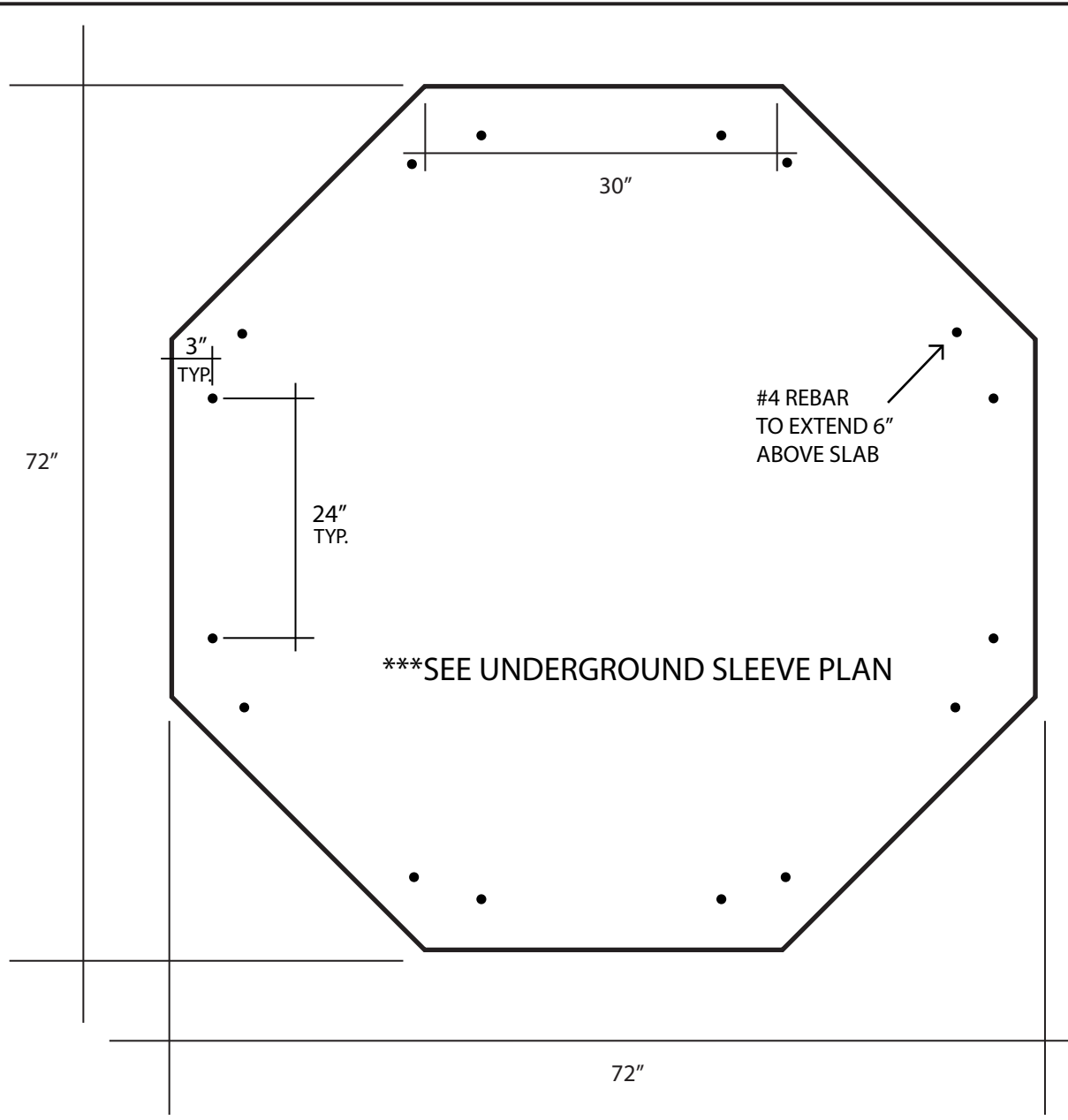


# BASIN DETAIL



NOTES:  
EPOXY ALL DOWELS  
USE APPROVED WATERPROOFING

PSD, INC SUPPLIES TOWER AND BASIN PCS ONLY  
LICENSED CONTRACTOR TO INSTALL AS PER LOCAL APPROVED BUILDING CODES



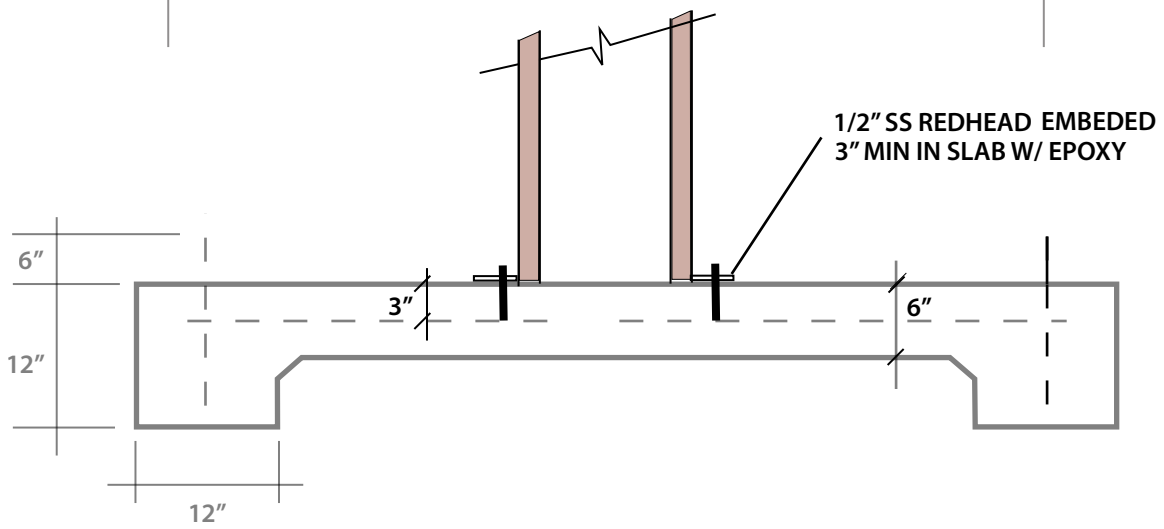
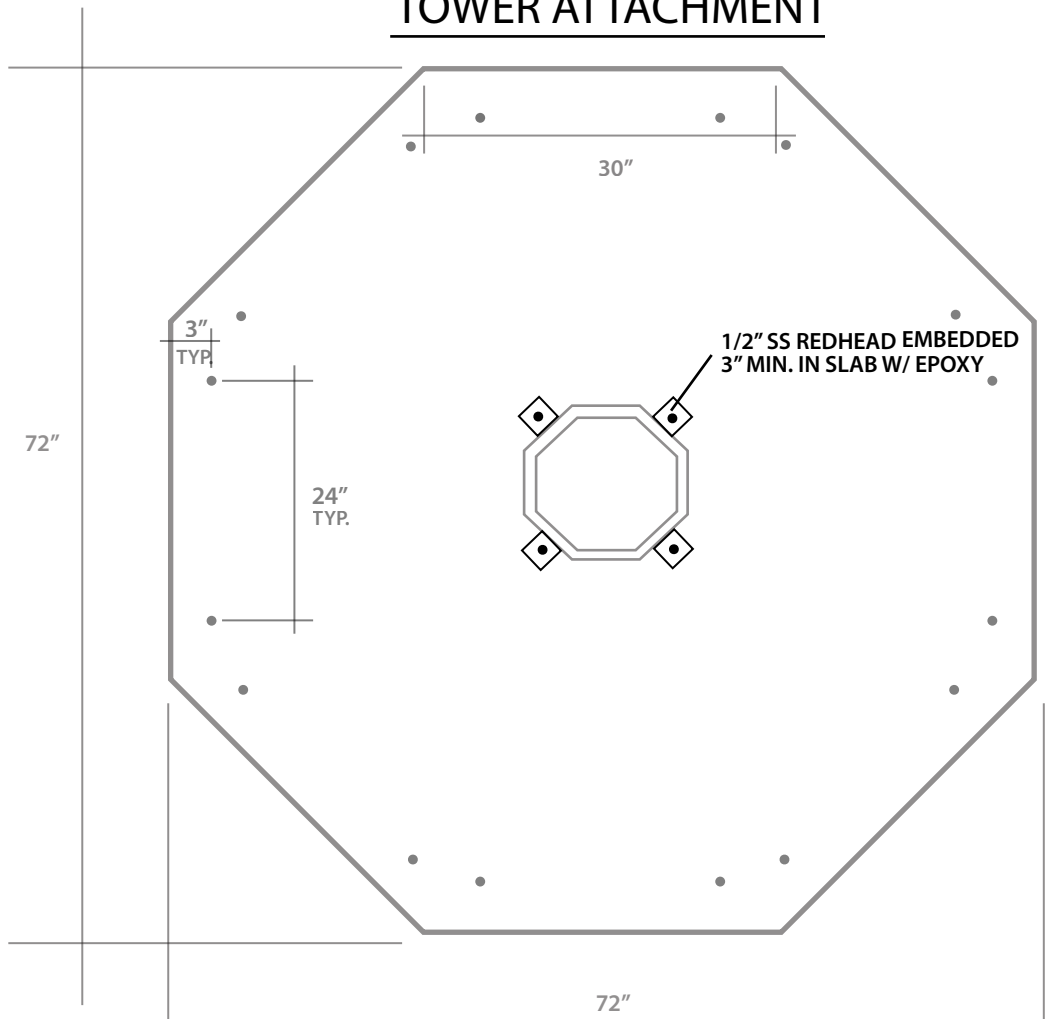
**FOUNDATION PLAN**



NOTE:  
 1.) PRECAST TO BE CONNECTED WITH THIN SET W/ ACRYLIC ADMIX AND CONSTRUCTION ADHESIVE  
 2.) GROUT TO MATCH IN COLOR  
 3.) JOINT "TBD" O.C.

NAME: FOUNTAIN	
JOB:	
SCALE: NOT TO SCALE	
DRN: SCS	DATE: 1/1/11

# TOWER ATTACHMENT



**NOTE:**  
 1.) PRECAST TO BE CONNECTED WITH THIN SET W/ ACRYLIC ADMIX AND CONSTRUCTION ADHESIVE  
 2.) GROUT TO MATCH IN COLOR  
 3.) JOINT "TBD" O.C.

NAME: FOUNTAIN	
JOB:	
SCALE: NOT TO SCALE	
DRN: SCS	DATE: 1/1/11