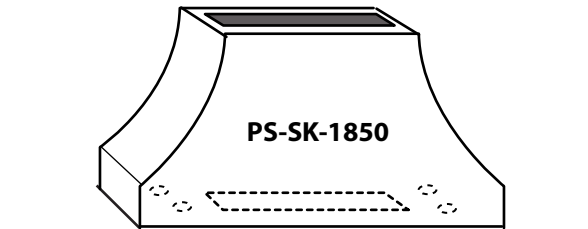
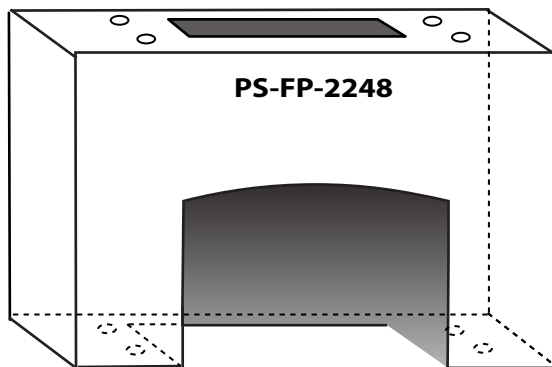


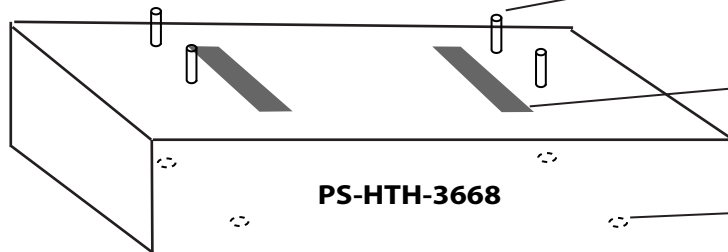
## ASSEMBLY INSTRUCTIONS GAS BURNING FIREPLACE



QTY 4 MACHINE BOLTS  
1/2" DIA. X 7" LONG  
W/ 2 WASHERS AND NUT



QTY 4 MACHINE BOLTS  
1/2" DIA. X 3-1/2" LONG  
W/ 2 WASHERS AND NUT



ACCESS HOLES

QTY 4 RED HEAD BOLTS  
1/2" DIA. X 6" LONG  
(SUPPLIED BY OTHER)

1. Pour required footing
2. Place and secure hearth pcs
3. Place and bolt firebox
4. Place and bolt mantel and stack
5. Hook up gas line and burner  
(Burner to be a min of 9" away from rear panel  
and 6" away from side panels)
6. Place firebrick inside fire box
7. Place large rear fire panel at rear of firebox (centered)
8. Place side fire panels , using metal clips on back panel for support  
(hole for gas line be cut by other)
9. apply precast and stone

FOOTING TO BE 6" THICK MIN.  
W/ #4 REBAR @ 12" O.C.

GFRC UNITS TO BE BOLTED  
WITH CONSTRUCTION ADHESIVE