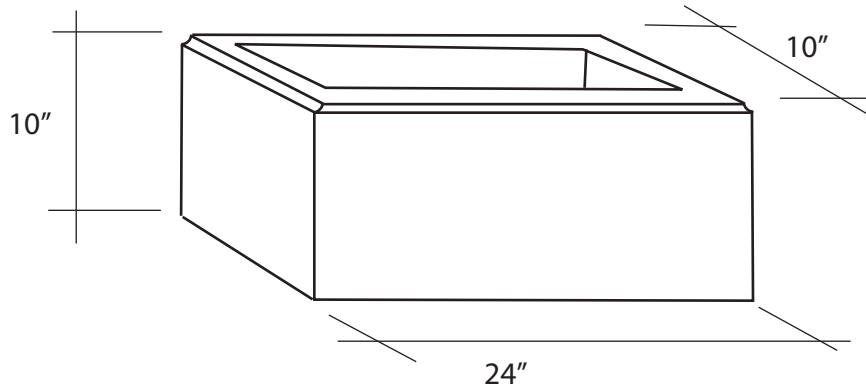


LEEWARD
PT-1024 RECT



INCLUDES:
2" DRAIN HOLE
WATERPROOFING (INTERIOR)
SEALER (EXTERIOR)

*All pieces have a tolerance of +/- 1/4"

Product	Dimensions	Weight
PT-1024	RECTANGULAR POT 10" H x 10" W x 24" L	135