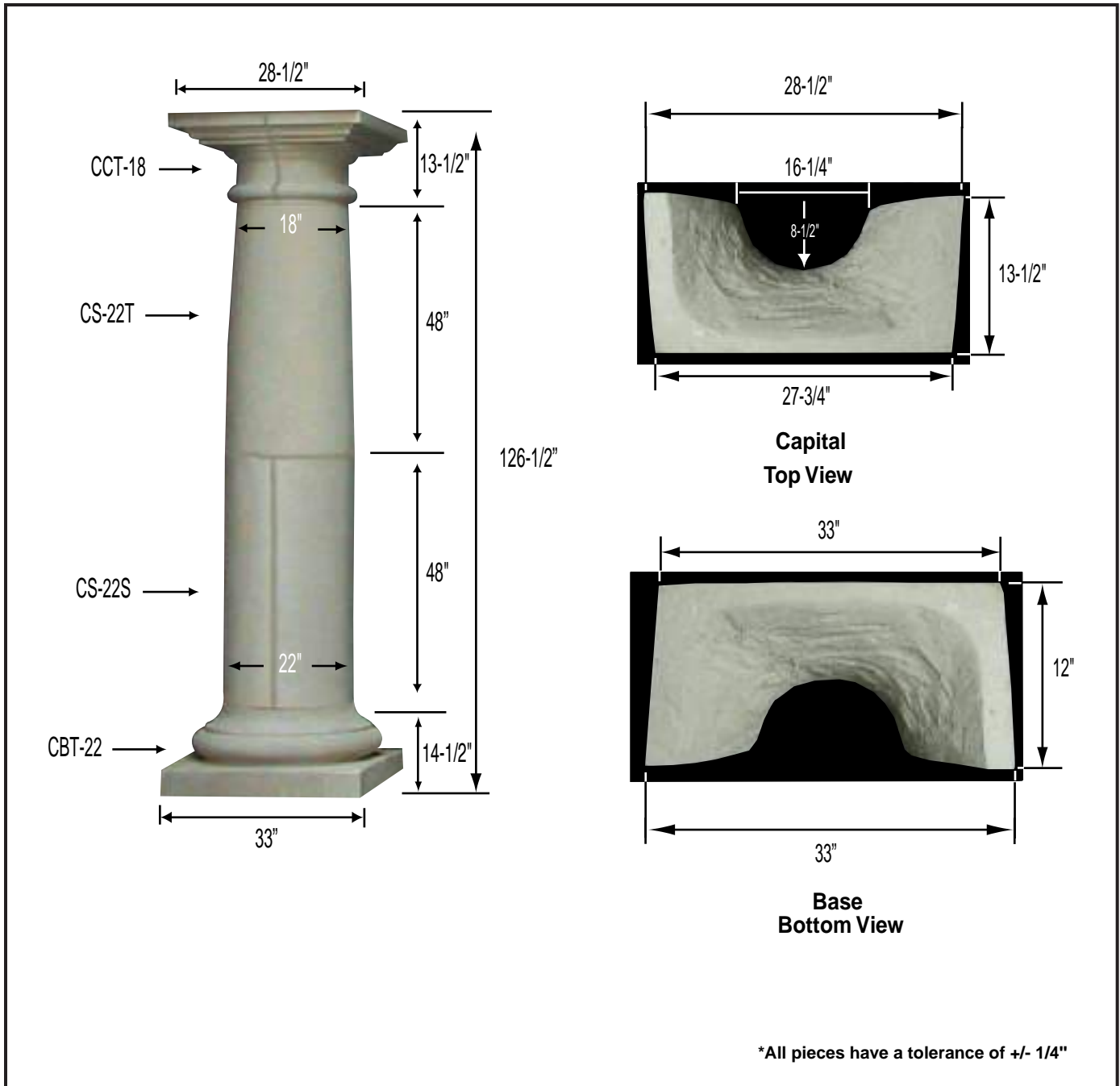


Column Tuscan Sectional Series 22"



Product	Description	Weight
CS-22S	COLUMN SECTIONAL SHAFT STRAIGHT (HALF) 22" DIA. x 47-3/4" L	102
CS-22T	COLUMN SECTIONAL SHAFT TAPERED (HALF) 22" DIA. x 48" L	96
CCT-18	COLUMN CAPITAL TUSCAN (HALF) 18" DIA. x 28-1/2" SQ. x 13-1/2" H	55
CBT-22	COLUMN BASE TUSCAN (HALF) 22" DIA. x 33" B x 17" H	