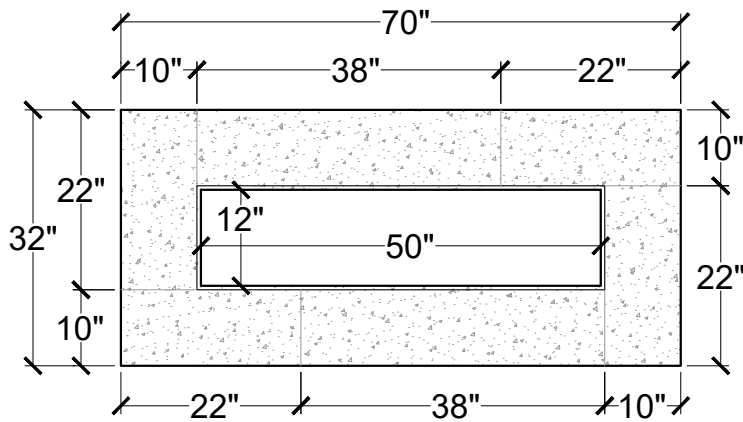
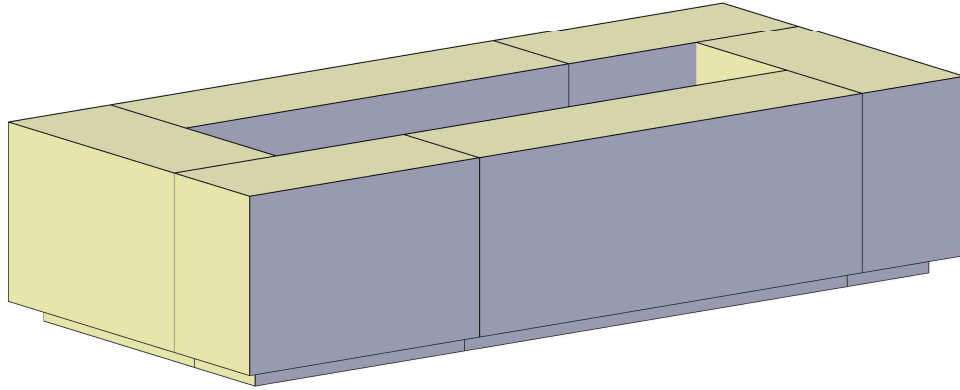
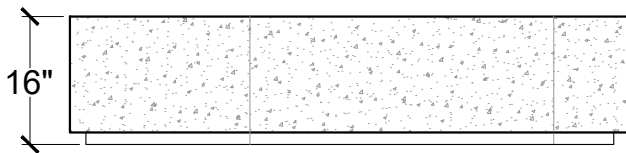


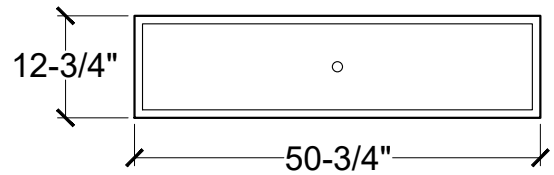
CUBIX 70



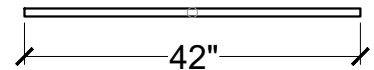
TOP VIEW



SIDE VIEW



PAN SS 12-3/4"x50-3/4"



**BURNER SS 42"
BTU: 140,000**

* 60 LBS GLASS

* NO BLOCK REQUIRED

ONLY USE LAVA ROCK OR FIRE GLASS

GAS VALVE INCLUDED
INSTALL ON 4" SLAB

SS PAN, BURNER, FLEX HOSE, FIREGLASS SOLD SEPARATELY

| Product | Description | Weight |
|------------|------------------------------|--------|
| CUBIX - 70 | 6 PCS 32" x 70" x 16" HEIGHT | 780 |