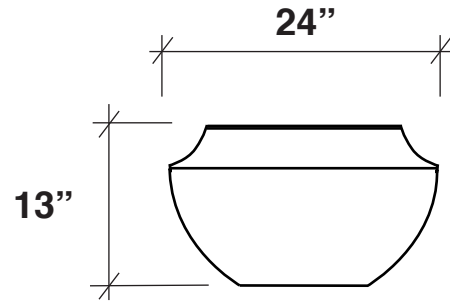
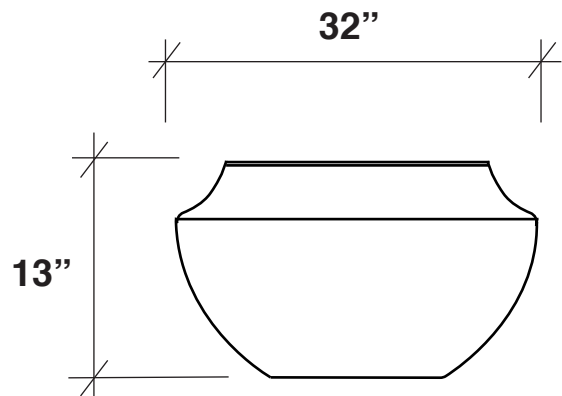


# G-LINE SERIES



PT-1324 13" H X 24" DIA.



PT-1332 13" H X 32" DIA.

NOTE: INCLUDES WATERPROOFING AND 3" DRAIN HOLE

PART #	DESCRIPTION	WT.
PT-1324	13" H X 24" DIA. (12" BASE)	135 LBS
PT-1332	13" H X 32" DIA. (20" BASE)	240 LBS