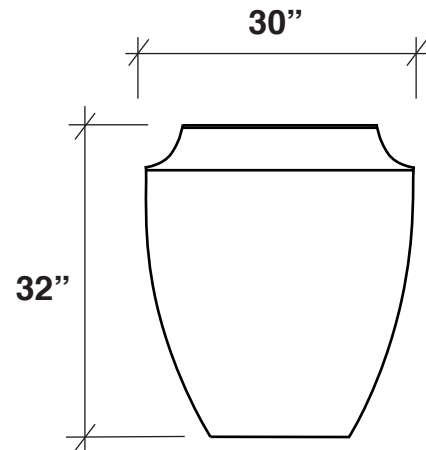
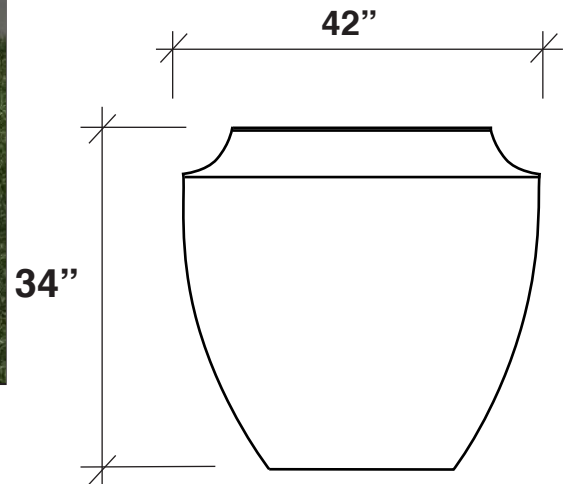


# G-LINE SERIES



PT-3230 32" H X 30" DIA.



PT-3442 34" H X 42" DIA.

NOTE: INCLUDES WATERPROOFING AND 3" DRAIN HOLE

PART #	DESCRIPTION	WT.
PT-3230	32" H X 30" DIA.	400 LBS
PT-3442	34" H X 42" DIA.	650 LBS