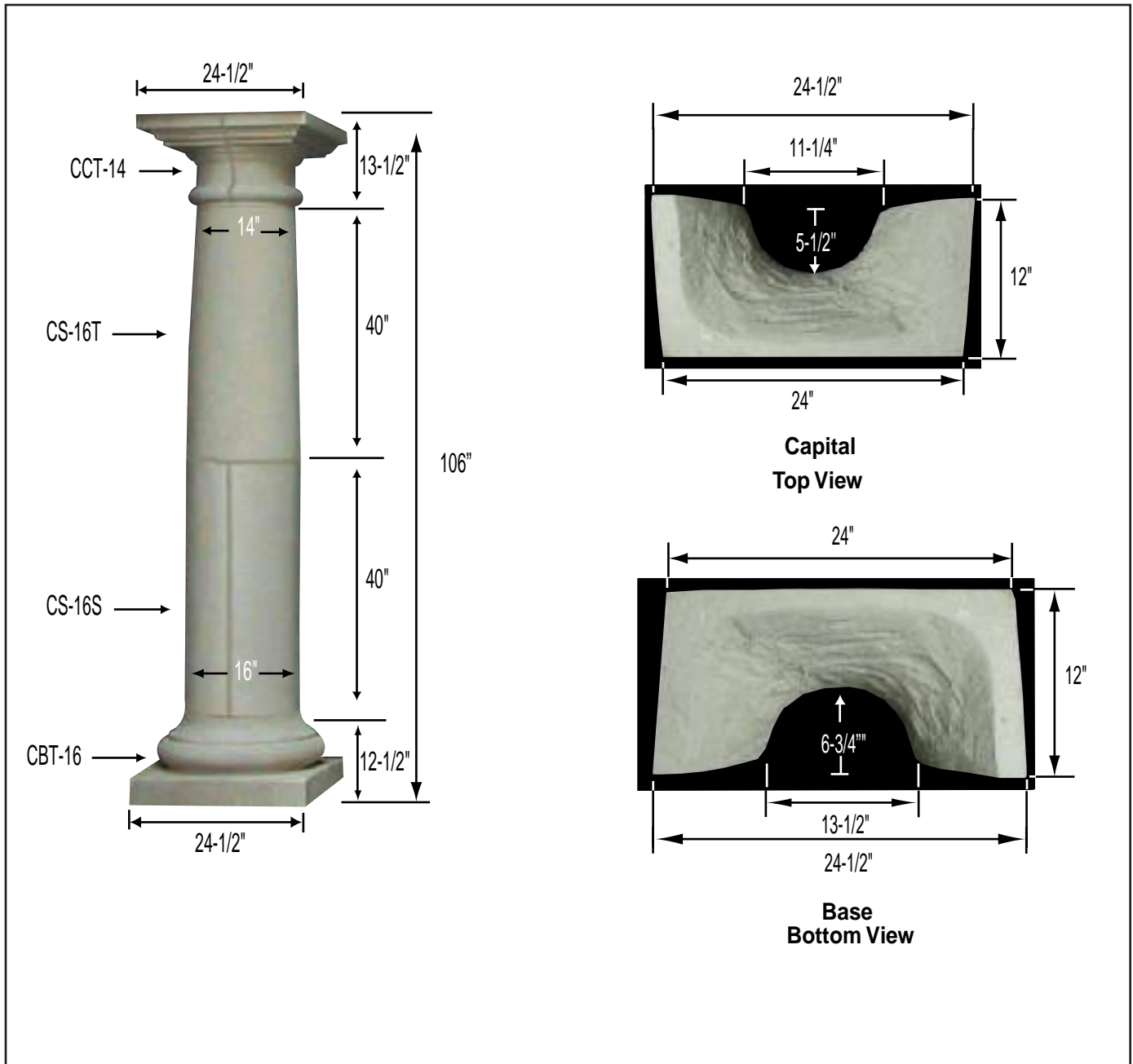


Column Tuscan Sectional Series 16"



*All pieces have a tolerance of +/- 1/4"

Product	Description	Weight
CS-16S	COLUMN SECTIONAL SHAFT STRAIGHT (HALF) 16" DIA. x 40" L	66
CS-16T	COLUMN SECTIONAL SHAFT TAPERED (HALF) 16" DIA. x 40" L	69
CCT-14	COLUMN CAPITAL TUSCAN (HALF) 14" DIA. x 24-1/2" SQ. x 13-1/2" H	
CBT-16	COLUMN BASE TUSCAN (HALF) 16" DIA. x 24-1/2" B x 12-1/2" H	